

## **LINEAR PNEUMATIC TRANSPORTERS**

### **Model E0060-A / E0070-A / E0080-A**

Patent Pending

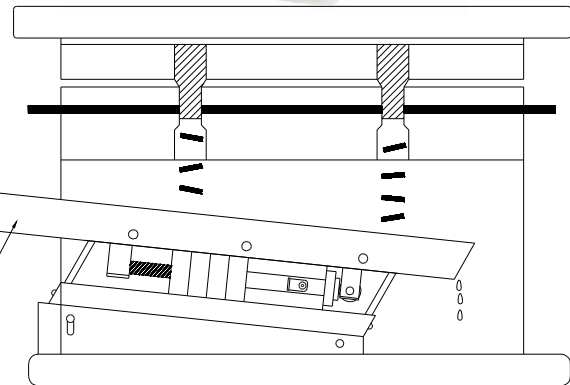
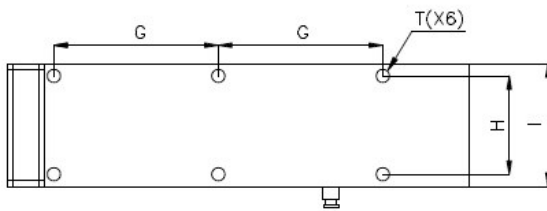
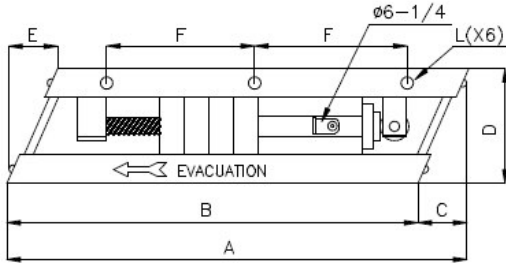


- **Evacuation and removal of finished products, scrap, or raw materials.**
- **It's the only pneumatic transporter that works even in upwards slope (max inclination: 6°).**
- **No need of lubricants.**
- **Max load: Kg 8 (mod. E0060-A) and Kg 20 (mod. E0080-A).**
- **Max evacuation speed.: 20 meters per minute.**
- **No need of maintenance .**
- **Operated with air only (explosion proof product).**
- **No need of air/oil filters.**
- **Low air consumption.**
- **Resistant, long lasting, versatile.**
- **It can work as a: scrap remover, press feeder, conveyor, transporter.**

### **Applications:**

**Food, non-food, pharmaceutical products, packaging, assembly, stamping, moulding, screw production, plastic industry.**

# LINEAR PNEUMATIC TRANSPORTERS



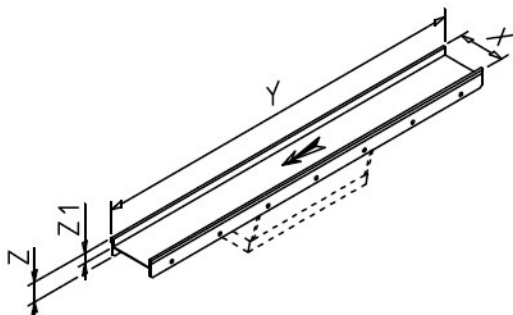
It functions also  
 in upwards  
 slope (max. 6°)

**Oil Recovery**

Model	Weight of pneumatic unit (kg)	Operated with	Pressure (bar)		Speed (mt/min)		Air Consumption (lt/min)		Max load (kg)	Recommended weight of materials (grams)		Max tray weight (kg)	Max Inclination
			Min	Max	Min	Max	Min	Max		Min	Max		
E0060-A	3,2	Air	4	6	5	20	16	78	8	0,05	300	3,5	6°
E0070-A	5,8	Air	5	7	6	20	22	80	17	0,5	600	5,5	6°
E0080-A	10	Air	5	7	6	20	25	85	20	0,5	1000	7,5	6°

## Dimensions in mm

Model	A	B	C	D	E	F	G	H	I	L	T
E0060-A	306	281	25	82	25	115	115	70	90	M6	Ø 9
E0070-A	410	390	20	92	20	160	160	95	120	M8	Ø 11
E0080-A	513	490	23	92	23	210	210	135	160	M8	Ø 11



## Tray dimensions in mm

Model	X	Y	Z	Z1
E0060-A	100	1000	40	18
E0070-A	120	1500	50	30
E0080-A	170	1800	50	30