



Eurotools

Eurotools S.r.l. PRECISION ENGINEERING
Via Papa Giovanni XXIII, 18 - 23862 Civate (LC)
Tel.: +39/0341/210472 - Fax: +39/0341/219057
Italy
Web: www.eurotools.it - E-mail: info@eurotools.it

Eurotools S.r.l. Precision Engineering – Turbine Vibrators

Microcochlea Group

EUROTOOLS S.r.l.

PRESENTS:

TURBINE VIBRATORS



**LOW CONSUMPTION, HIGH PERFORMANCES,
LONG LASTING AND RESISTANT TO USAGE**

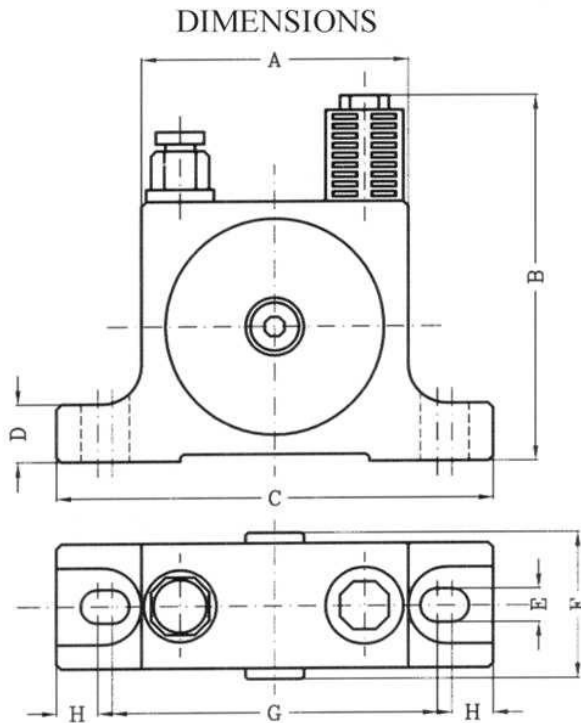


Eurotools

Eurotools S.r.l. PRECISION ENGINEERING
 Via Papa Giovanni XXIII, 18 - 23862 Civate (LC)
 Tel.: +39/0341/210472 - Fax: +39/0341/219057
 Italy
 Web: www.eurotools.it - E-mail: info@eurotools.it

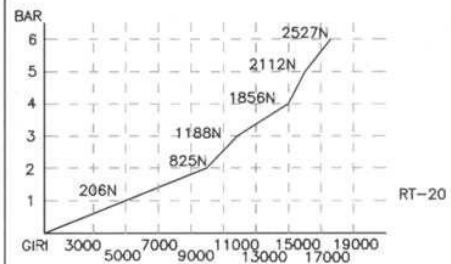
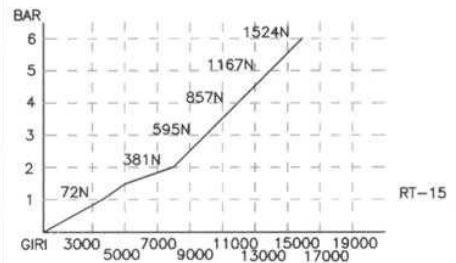
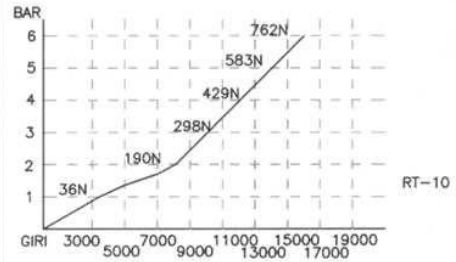
Eurotools S.r.l. Precision Engineering – Turbine Vibrators

Microcochlea Group



DIMENSIONS	A	B	C	D	E	F	G	H
VIBRATOR RT 10	55	82	90	12	7	30	73	8,5
VIBRATOR RT 15	55	82	90	12	7	30	73	8,5
VIBRATOR RT 20	62	95	112	15	9	36	91	11

POWER CHART



AIR CONSUMPTION IN LITERS PER MINUTE AND NOISENESS IN dB

PRESSURE IN BAR	RT 10	RT 10	RT 15	RT 15	RT 20	RT 20
6	84 Lt.	68 dB	150 Lt.	66 dB	187 Lt.	77 dB
5	68 Lt.	67 dB	115 Lt.	64 dB	150 Lt.	74 dB
4	60 Lt.	66 dB	100 Lt.	62 dB	100 Lt.	74 dB
3	43 Lt.	66 dB	66 Lt.	59 dB	72 Lt.	68 dB
2	30 Lt.	61 dB	43 Lt.	61 dB	53 Lt.	69 dB